

THE ARMORED SMART LOCK

USER MANUAL



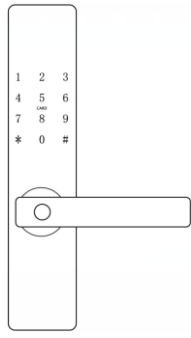
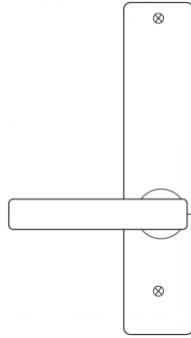
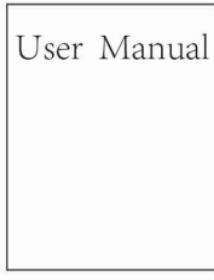
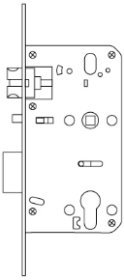


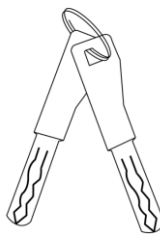

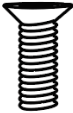
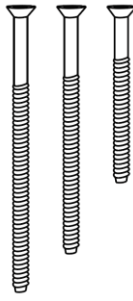
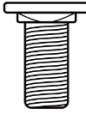



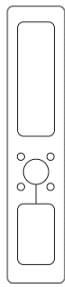

**PLEASE READ THIS MANUAL CAREFULLY BEFORE INSTALLATION. WE
ALSO RECOMMEND YOU KEEP IT FOR FUTURE REFERENCE.**

GETTING TO KNOW YOUR SMART DOOR LOCK

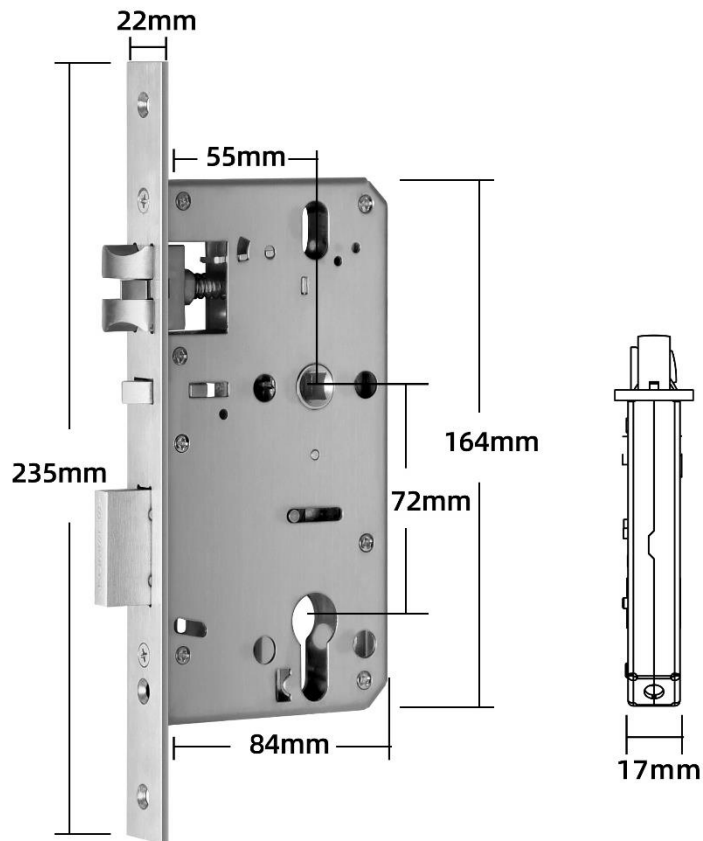
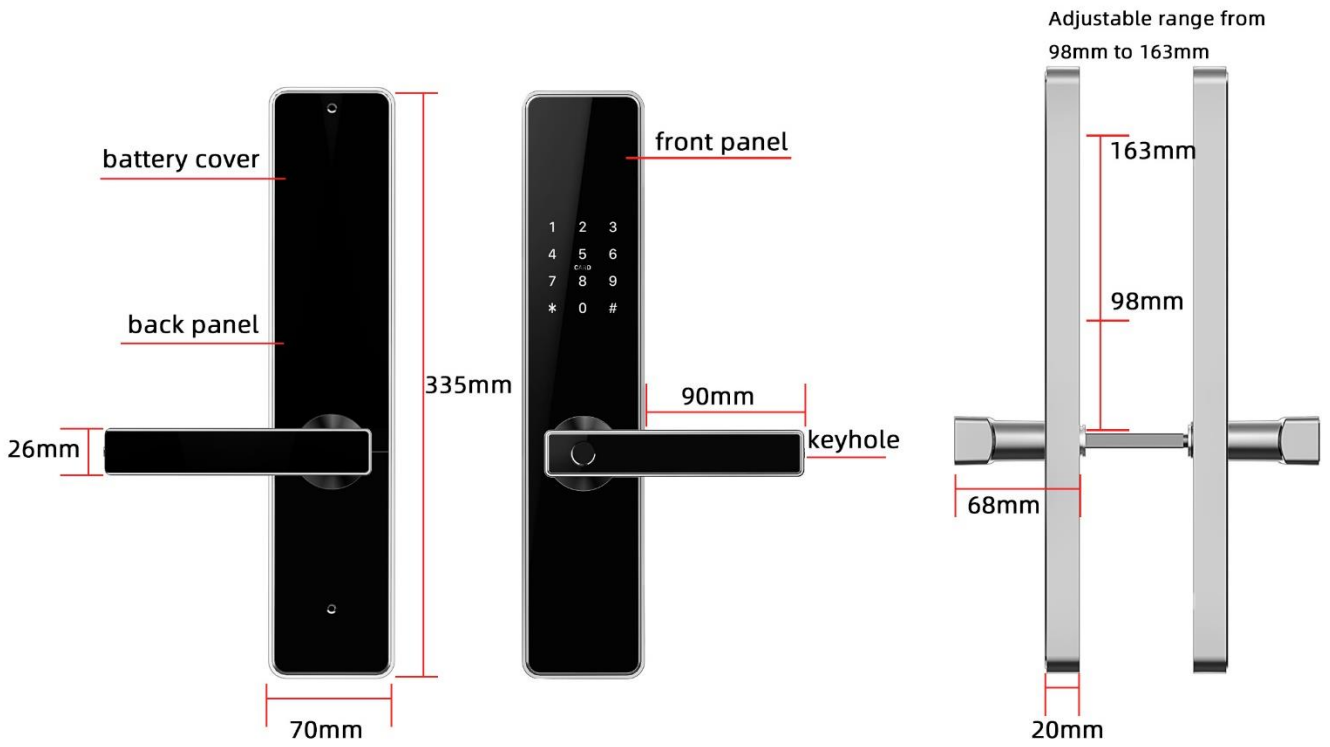
SPECIFICATIONS

Suitable for Models	Armored
Materials	Zinc Alloy
Lock Size	Panel: 335*70*20mm
Unlocking Ways	Password Mechanical Key Fingerprint Card Bluetooth Gateway (optional)
Color	Black Silver
Works well with	Wooden Door Aluminum Door Sliding Door Swing Door
Door Thickness Requirements	30-65mm
Working Temperature	-25°C -60°C
Working Humidity	20% - 90%
Data Capacity	Stores 500 fingerprints 150 passcodes 200 cards
Fingerprint Sensor	Semi-conductor Sensor

WHAT'S IN THE BOX?

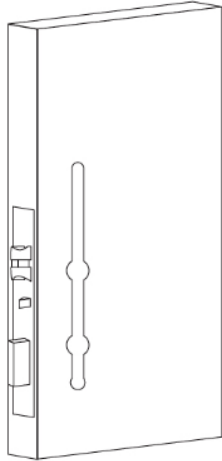
Picture				
Name	Front Panel	Back Panel	User Manual	Recommended Mortise
Quantity	1	1	1	1
Picture				
Name	Strike	Strike Box	Keys	Card
Quantity	1	1	2	3
Picture				
Name	Fixing screws 1(For Battery Cover)	Opposite Pull Screw	Sliding Screw	Sliding Screw Casing
Quantity	2	3*1	2	2
Picture				
Name	Pointed Screw (For Wooden Door)	Fixing screws 2 (For Aluminum Door)	Waterproof Rubber Plate	Gateway
Quantity	4	4	2	1

LOCK STRUCTURE

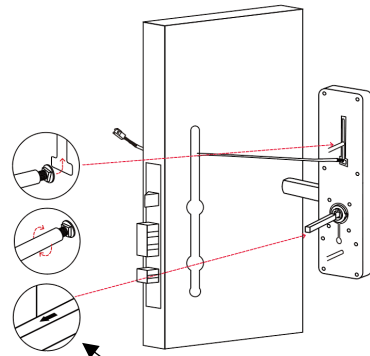


HOW TO INSTALL YOUR ARMORED SMART DOOR LOCK

Install Mortise



Install Sliding Screw Casing

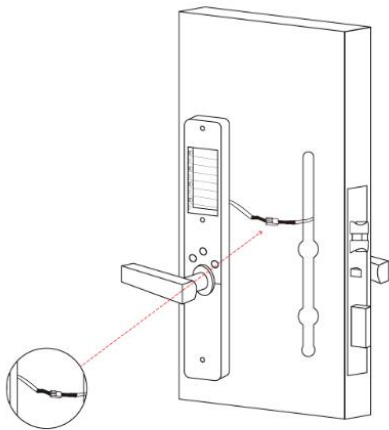


The screw casing place is adjustable from 55mm to 100mm far from the square shaft.

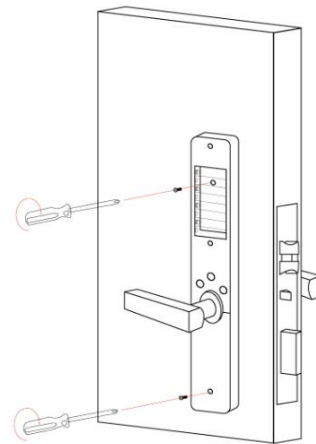
Depending on the location of the hole-drilling or the old door hole.

Keep arrow direction (shows in image) always upward.

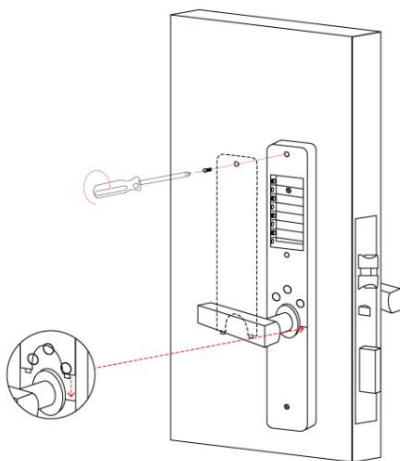
Connect Front and Back Panels



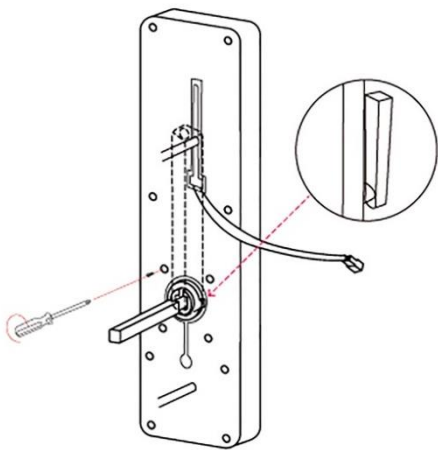
Install Back Panel



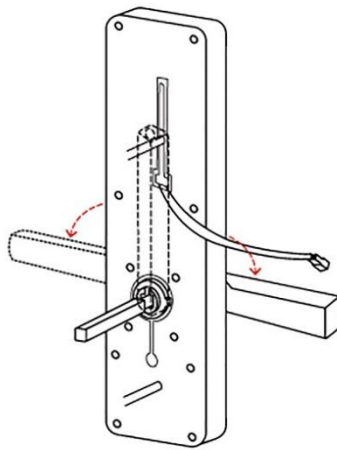
Install the Battery



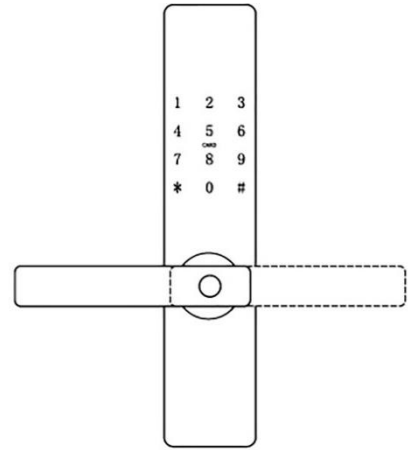
HOW TO INSTALL YOUR ARMORED SMART DOOR LOCK



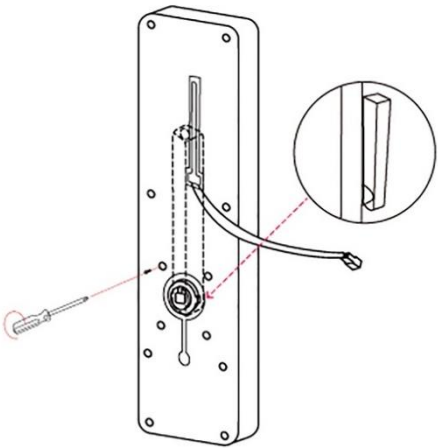
1. Loose Four Screws



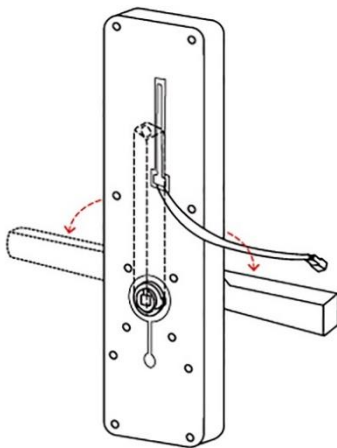
2. Left Open the Handle Toward the Left; Right Open the Handle Toward the Right.



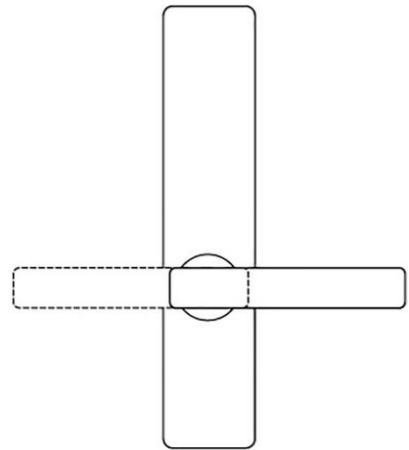
3. Reinstall the Screw After Adjusting the Direction



1. Loose Four Screws

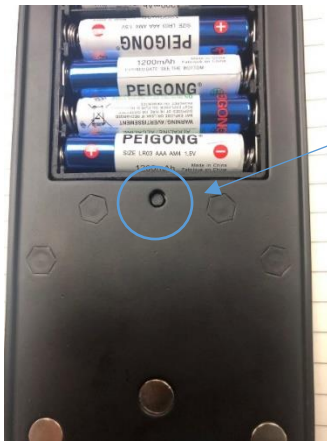


2. Left Open the Handle Toward the Left; Right Open the Handle Toward the Right.



3. Reinstall the Screw After Adjusting the Direction

HOW TO FIRST START YOUR LOCK



System Initialization

Open the cover plate of the back panel, press the "Reset" button on the back panel for 5s, press "000#", and you should be ready to go.

GET READY TO SET UP YOUR TTLOCK APP UP AND RUNNING

SELECTING THE RIGHT APP



For Androids, please scan the left QR code as above, for Apple, please scan the right QR code as above. You can also search for TTLock in your APP store. Once you have downloaded the APP, please follow these steps:

Register a new account (phone number or email) → Press the reset button until the blue light is on → Click "+" for adding lock → The lock nearby will appear on your phone screen → Click "+" → Re-name the lock and you are all set.




Remember: You can add users, up to 200 different fingerprints and manage your history records via TTLock.

HOW TO CONNECT YOU GATEWAY TO YOUR SMART DOOR LOCK

Light Status

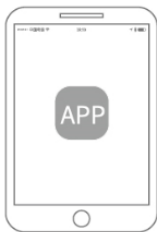


When the gateway is powered on:

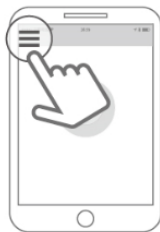
-  Light flashes alternately in red and blue: Stand-by mode, ready for pairing
-  Blue light: Working mode
-  Red light: Network failure

Pair the Gateway with APP

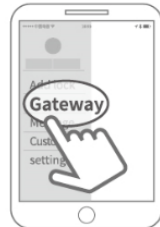
1 Activate the APP



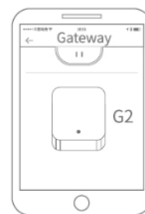
2 Press "☰"



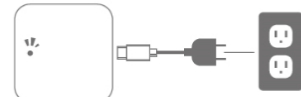
3 Select [Gateway]



4 Select [G2]



5 Plug in the gateway and power it on, while the light flashes alternately in red and blue



6 Press "+" sign



7 Add Gateway



8 Select the network and fill in the password




9 Add complete

⚠ Notice: If times out, please power off and try it again.

HOW TO USE YOUR SMART DOOR LOCK

UNLOCKING VIA BLUETOOTH


If you are getting close to your door and want to unlock your door via Bluetooth just follow these steps:

Go to your APP → Click on the "  " button to unlock.

Remember: Your phone must be within 5 meters from your Smart Door Lock and Bluetooth must be on.

REMOTELY UNLOCKING


Unlock or lock your door from anywhere, anytime. As long as your home has an internet connection and your phone does too, you can do whatever you want from any distance. Just follow these steps:

Go to your APP → Click on the "  " button to unlock.

Remember: Your phone, your Smart Door Lock and the Gateway must be in sync and with internet connection.

REMOTELY GRANTING ACCESS TO OTHER TTLOCK

You can send an e-Key to others TTLock users and authorize entry. Just follow these steps:

Go to your APP → Click on the send e-key "  " button → Enter the recipient's account number → set the time for the unlocking authorization.

Remember: The receiver must download the APP and register and your phone, your Smart Door Lock and the Gateway must be in sync and with internet connection.

FINGERPRINT UNLOCKING

One of the most famous ways to unlock a Smart Door Locks is using your fingerprint, and we get it! It's easy, fast, but above all, it's secure. To set it up just follow these steps:

Go to your APP → Click on the fingerprints "  " button → Click on these 3 little dots for more settings "  " → Click on add fingerprint → set it up → Click Start → Place your finger on the sensor and follow the instructions for adding your fingerprints → Try it! → Place your fingerprint on the sensor to unlock.

Remember: If the operation is successful, the color indicator flashes blue and the buzzer beeps once, If the operation fails, the color indicator flashes red and the buzzer beeps twice.

You can also set other user's fingerprints for limited access by setting specific time parameters.

CARD MANAGEMENT

Click "  " → Click "  " → Add IC Cards

